

Customize your Countertop with Real Granite

10 Designer Colors



Choose from 3 Edge Styles*

Bullnose

Ogee

Square

Four Components**

12" x 12" Tiles

3" x 12" Edges

3" x 3" Outside Corners

3/4" Quarter Rounds



Outdoor Kitchens
Firepits/Fireplaces
Countertops

*Edges specific to color

** All components color lot matched

Choose your Granite Edge & Color

Step 1

Choose your Edge Style:

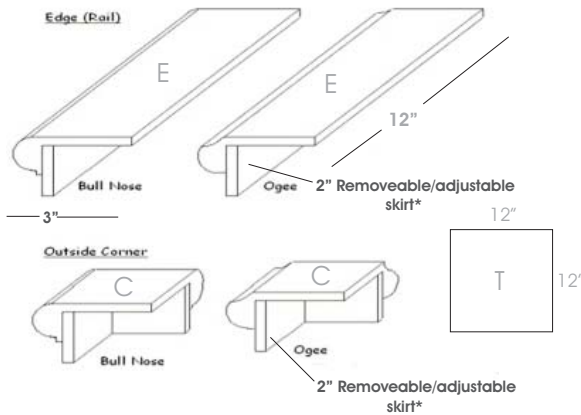
Step 2

Choose your color:

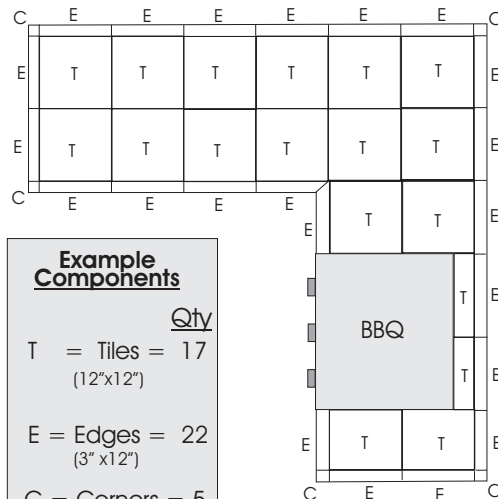
Ogee	Bullnose
 A. Baltic Brown	 F. Nero Black
 B. Emerald pearl	 G. Sunset Gold
 C. Uba Tuba	 H. St. Cecelia
 D. Juparano	 I. Tropic Brown
 E. Giallo Veneziano	 J. Tunas Green

Step 3

Calculate your Tiles, Edges & Corners



Typical L-Shaped Outdoor Kitchen



Example Components		Qty
T = Tiles	=	17 (12"x12")
E = Edges	=	22 (3" x12")
C = Corners	=	5 (3" x 3")

*Skirt can easily be removed and repositioned for extra thick substrates